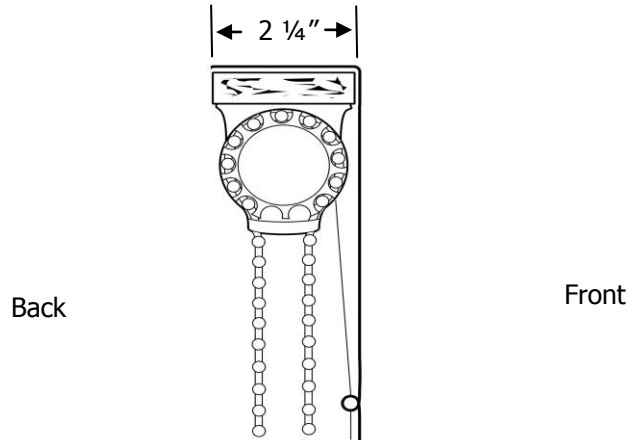


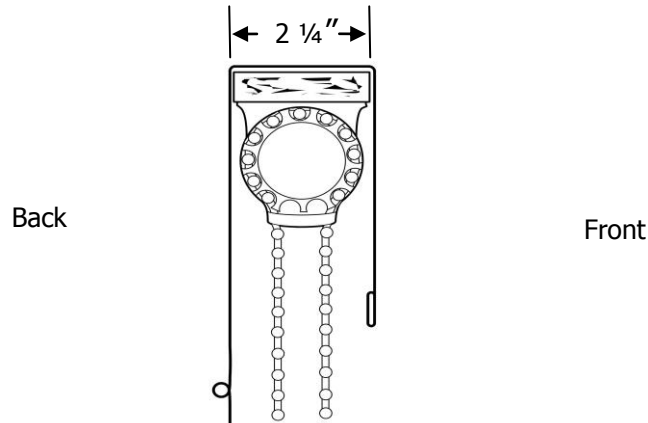
6" FLAT ROMAN FOLD SHADES

STANDARD ROMAN SHADE



CLASSIC ROMAN SHADE

(10 % Surcharge)



* LARGE ROMANS BOARD SIZE 3 1/2"

APPROXIMATE ROMAN SHADE STACKING CHART

SHADE HEIGHT	APPROXIMATE STACK
Up to 36"	9"
Up to 60"	12"
Up to 84"	14"
Up to 108"	16"
Up to 132"	18"
Up to 144"	20"

2 Blinds on 1 Headrail – Add \$40.00 3 Blinds on 1 Headrail – Add \$70.00

ROMAN SHADES

CHART 1

PHIFER SHEERWEAVE® 1000 & 3000, SUNTEX 90

		WIDTH										
		24"	36"	42"	48"	54"	60"	72"	84"	96"	108"	120"
H E I G H T	Up to 36"	113	149	176	202	228	239	260	326	368	417	447
	Up To 48"	130	174	205	237	268	279	305	353	407	440	482
	Up To 60"	148	199	235	272	309	323	350	436	489	544	599
	Up To 72"	163	221	265	307	349	365	395	520	583	649	714
	Up To 84"	180	246	293	342	390	407	441	573	646	718	790
	Up To 96"	197	270	323	376	431	449	487	600	676	751	825
	Up To 108"	214	294	354	412	470	491	531	683	769	855	930
	Up to 120"	231	319	382	447	521	533	578	766	862	961	1058
	Additional 12"	18	27	29	36	41	44	48	55	61	67	74

		WIDTH									
		132"	144"	156"	168"	180"	192"	204"	216"	228"	240"
H E I G H T	Up to 36"	525	636	783	825	867	909	1056	1098	1140	1182
	Up To 48"	578	672	819	861	903	945	1092	1134	1176	1218
	Up To 60"	693	798	951	1003	1050	1098	1203	1250	1297	1344
	Up To 72"	840	924	1082	1134	1187	1239	1397	1449	1502	1554
	Up To 84"	919	1019	1182	1239	1297	1355	1518	1575	1633	1691
	Up To 96"	998	1061	1229	1292	1355	1418	1586	1649	1712	1775
	Up To 108"	1134	1218	1407	1491	1575	1659	1848	1932	2016	2100
	Up to 120"	1260	1355	1554	1649	1743	1838	2037	2132	2226	2321
	Additional 12"	79	84	88	92	97	101	105	109	113	118

ALL SHADES EXCEEDING FABRIC WIDTH MUST BE RAILROADED - SHADES OVER 132" MUST BE MOTORIZED (ADD ALL APPROPRIATE SURCHARGES)

CHART 2

**PHIFER SHEERWEAVE® 2100, 2360, 2710 & 4100
MERMET® E SCREEN 7505 & 7510, M SCREEN 5, T-SCREEN CLASSIC/FUSION**

		WIDTH										
		24"	36"	42"	48"	54"	60"	72"	84"	96"	108"	120"
H E I G H T	Up to 36"	119	157	184	212	239	250	272	342	386	438	468
	Up To 48"	136	182	216	248	281	293	321	301	426	462	506
	Up To 60"	155	208	246	286	325	338	368	458	514	571	629
	Up To 72"	172	232	279	323	367	382	415	546	613	682	750
	Up To 84"	189	258	308	358	410	426	463	602	678	754	830
	Up To 96"	207	284	338	395	453	472	510	630	709	789	867
	Up To 108"	225	309	372	433	494	516	557	718	808	898	977
	Up to 120"	243	334	401	468	547	560	607	804	905	1009	1110
	Additional 12"	19	27	31	38	43	46	50	58	64	69	78

		WIDTH									
		132"	144"	156"	168"	180"	192"	204"	216"	228"	240"
H E I G H T	Up to 36"	683	730	882	930	977	1024	1176	1224	1271	1318
	Up To 48"	762	809	961	1008	1056	1103	1255	1302	1350	1397
	Up To 60"	788	851	1008	1061	1113	1166	1323	1376	1428	1481
	Up To 72"	838	903	1071	1134	1197	1260	1428	1491	1554	1617
	Up To 84"	893	961	1134	1203	1271	1339	1512	1581	1649	1717
	Up To 96"	966	1040	1218	1292	1365	1439	1617	1691	1764	1838
	Up To 108"	1048	1129	1313	1392	1470	1549	1733	1812	1890	1969
	Up to 120"	1166	1250	1439	1523	1607	1691	1880	1964	2048	2132
	Additional 12"	84	90	95	100	105	111	116	121	126	132

ALL SHADES EXCEEDING FABRIC WIDTH MUST BE RAILROADED - SHADES OVER 132" MUST BE MOTORIZED (ADD ALL APPROPRIATE SURCHARGES)

ROMAN SHADES

CHART 3

**PHIFER SHEERWEAVE® 2000, 2390 & 2705
MERMET® M SCREEN 3%**

		WIDTH										
		24"	36"	42"	48"	54"	60"	72"	84"	96"	108"	120"
H E I G H T	Up to 36"	125	166	210	243	275	287	310	397	445	495	630
	Up To 48"	143	193	246	286	326	340	365	426	479	531	683
	Up To 60"	162	220	283	329	376	392	422	531	598	664	731
	Up To 72"	181	246	319	373	426	443	478	638	718	797	878
	Up To 84"	200	273	355	416	477	496	533	705	794	882	972
	Up To 96"	218	300	392	459	527	548	589	733	827	919	1012
	Up To 108"	237	327	428	503	578	600	646	839	946	1052	1159
	Up to 120"	256	353	464	546	628	652	701	944	1065	1186	1306
	Additional 12"	21	29	37	43	50	53	56	61	76	88	104

		WIDTH									
		132"	144"	156"	168"	180"	192"	204"	216"	228"	240"
H E I G H T	Up to 36"	788	840	998	1050	1103	1155	1313	1365	1418	1470
	Up To 48"	840	893	1050	1103	1155	1208	1365	1418	1470	1523
	Up To 60"	903	966	1134	1197	1260	1323	1491	1554	1617	1680
	Up To 72"	1008	1071	1239	1302	1365	1428	1596	1659	1722	1785
	Up To 84"	1077	1155	1339	1418	1497	1575	1759	1838	1917	1995
	Up To 96"	1119	1197	1381	1460	1539	1617	1801	1880	1959	2037
	Up To 108"	1250	1344	1544	1638	1733	1827	2027	2121	2216	2310
	Up to 120"	1392	1497	1707	1812	1917	2022	2232	2337	2442	2547
	Additional 12"	111	118	124	130	137	143	149	155	162	168

ALL SHADES EXCEEDING FABRIC WIDTH MUST BE RAILROADED - SHADES OVER 132" MUST BE MOTORIZED (ADD ALL APPROPRIATE SURCHARGES)

CHART 4

**PHIFER SHEERWEAVE® 4000, 4500, 4550 & 4700
MERMET® M SCREEN DECO**

		WIDTH										
		24"	36"	42"	48"	54"	60"	72"	84"	96"	108"	120"
H E I G H T	Up to 36"	136	180	227	262	298	310	335	428	481	5365	693
	Up To 48"	155	208	266	309	352	367	395	460	517	573	751
	Up To 60"	174	237	306	355	407	424	456	573	646	718	790
	Up To 72"	195	266	344	403	460	479	516	689	775	861	949
	Up To 84"	216	295	384	449	515	536	577	762	857	953	1049
	Up To 96"	237	323	424	496	569	592	636	792	893	993	1092
	Up To 108"	256	353	462	543	624	648	697	907	1022	1136	1252
	Up to 120"	277	382	501	590	678	705	757	1020	1150	1280	1411
	Additional 12"	23	32	40	46	55	57	60	67	82	96	113

		WIDTH									
		132"	144"	156"	168"	180"	192"	204"	216"	228"	240"
H E I G H T	Up to 36"	840	893	1050	1103	1155	1208	1365	1418	1470	1523
	Up To 48"	914	966	1124	1176	1229	1281	1439	1491	1544	1596
	Up To 60"	993	1056	1224	1287	1350	1413	1581	1644	1707	1770
	Up To 72"	1098	1166	1334	1397	1460	1523	1691	1754	1817	1880
	Up To 84"	1182	1260	1444	1523	1602	1680	1864	1943	2022	2100
	Up To 96"	1218	1297	1481	1560	1638	1717	1901	1980	2058	2137
	Up To 108"	1360	1455	1654	1749	1843	1938	2032	2127	2221	2316
	Up to 120"	1512	1607	1806	1901	1995	2100	2310	2415	2520	2625
	Additional 12"	120	127	134	142	149	157	164	172	179	186

ALL SHADES EXCEEDING FABRIC WIDTH MUST BE RAILROADED - SHADES OVER 132" MUST BE MOTORIZED (ADD ALL APPROPRIATE SURCHARGES)

ROMAN SHADES

CHART 5

PHIFER SHEERWEAVE® 2410, 2500 & 2703

MERMET® S SCREEN, VELA

		WIDTH										
		24"	36"	42"	48"	54"	60"	72"	84"	96"	108"	120"
H E I G H T	Up to 36"	145	193	244	281	319	333	359	460	517	573	641
	Up To 48"	166	223	285	332	378	394	424	495	556	615	735
	Up To 60"	188	254	328	382	436	455	489	617	693	770	848
	Up To 72"	210	285	369	433	495	515	554	739	832	924	1019
	Up To 84"	231	317	412	482	554	575	619	817	921	1023	1127
	Up To 96"	253	348	455	533	611	636	684	851	959	1066	1173
	Up To 108"	275	379	496	584	670	695	749	974	1098	1220	1345
	Up to 120"	298	410	539	634	729	756	814	1096	1235	1376	1516
	Additional 12"	25	34	43	50	59	61	64	71	88	102	121

		WIDTH									
		132"	144"	156"	168"	180"	192"	204"	216"	228"	240"
H E I G H T	Up to 36"	809	867	1029	1087	1145	1203	1365	1423	1481	1539
	Up To 48"	903	966	1134	1197	1260	1323	1491	1554	1617	1680
	Up To 60"	966	1035	1208	1276	1344	1413	1586	1654	1722	1791
	Up To 72"	1124	1197	1376	1449	1523	1596	1670	1743	1817	1890
	Up To 84"	1234	1313	1497	1575	1654	1733	1917	1995	2074	2153
	Up To 96"	1281	1365	1554	1638	1722	1806	1995	2079	2163	2247
	Up To 108"	1444	1533	1728	1817	1906	1995	2190	2279	2368	2457
	Up to 120"	1628	1722	1922	2016	2111	2205	2410	2510	2610	2709
	Additional 12"	130	137	145	153	161	168	176	184	191	200

ALL SHADES EXCEEDING FABRIC WIDTH MUST BE RAILROADED - SHADES OVER 132" MUST BE MOTORIZED (ADD ALL APPROPRIATE SURCHARGES)

CHART 6

PHIFER SHEERWEAVE® 2701, 4400, 4600, 4650, 5000, 7350, DESIGNER SUNTEX 90

		WIDTH										
		24"	36"	42"	48"	54"	60"	72"	84"	96"	108"	120"
H E I G H T	Up to 36"	160	211	268	310	351	367	395	506	568	631	735
	Up To 48"	183	245	313	365	416	434	466	544	611	678	840
	Up To 60"	207	279	361	419	480	500	539	678	762	846	932
	Up To 72"	231	313	405	476	544	566	610	813	915	1016	1121
	Up To 84"	254	349	453	531	609	634	680	899	1014	1125	1239
	Up To 96"	279	382	500	586	672	701	752	936	1054	1173	1291
	Up To 108"	302	417	545	643	737	764	823	1071	1208	1342	1480
	Up to 120"	327	451	592	697	802	832	896	1205	1359	1513	1667
	Additional 12"	27	37	48	56	65	67	71	78	97	113	134

		WIDTH									
		132"	144"	156"	168"	180"	192"	204"	216"	228"	240"
H E I G H T	Up to 36"	867	924	1087	445	1203	1260	1428	1491	1554	1617
	Up To 48"	966	1029	1197	1260	1323	1386	1554	1623	1680	1749
	Up To 60"	1024	1092	1266	1334	1402	1470	1644	1717	1791	1864
	Up To 72"	1176	1250	1428	1502	1575	1649	1827	1901	1974	2053
	Up To 84"	1313	1392	1575	1654	1733	1812	1995	2074	2158	2242
	Up To 96"	1376	1460	1649	1733	1817	1901	2090	2174	2263	2352
	Up To 108"	1575	1665	1859	1948	2037	2127	2321	2410	2505	2599
	Up to 120"	1733	1827	2027	2121	2216	2310	2510	2604	2704	2804
	Additional 12"	142	151	158	166	172	181	189	197	206	214

ALL SHADES EXCEEDING FABRIC WIDTH MUST BE RAILROADED - SHADES OVER 132" MUST BE MOTORIZED (ADD ALL APPROPRIATE SURCHARGES)